



KUMERA

**HEAVY DUTY MINING
CONVEYOR GEARBOX
Series NG**



Kumera

HEAVY DUTY MINING CONVEYOR GEARBOX, SERIES NG

Extensive research and scientific studies have resulted a conveyor gearbox-series, which meets the highest requirements in high temperature mining atmosphere.

NG Gearbox has following features:

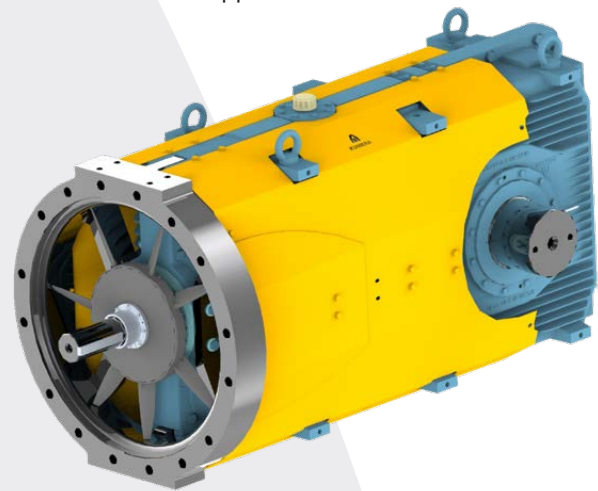
- Three stage bevel-helical heavy duty gearbox
- Splash lubrication as standard
- Low noise level, less than mining standard limit
- Versatile mounting positions: NG gearbox has universal feature being either left or right handed output shaft arrangement. This feature called “flipped” allows mining operator to save in spare gearbox storing costs

Further Technical Features:

- Multiple output shaft options:
 - Hollow shaft with keyway or shrink disk
 - Solid shaft with keyway or shrink fit coupling connection
 - Double extended output shaft possibility
- Taconite seals on input and output shafts with changeable shaft sleeves
- Visual indicators for oil level and temperature
- Pre machined positions for vibration sensors

Optional Accessories:

- Electric motor adapter
- Torque arm
- Cooling fan, radial or reversible axial
- Backstop to prevent reverse movement
- Oil pump for pressure lubrication
- Cooling coils
- Temperature measurement sensor (PT100)
- Electronic oil lever sensor
- Gearbox can be equipped with auxiliary drive for slow speed operation
- Guard Gear 4.0 condition monitoring
- ATEX I M2 approval



Mechanical and thermal power

Nominal output torque, T_{2N} [kNm] ($n_1=1500$ 1/min)

Size/ratio	18	20	22.5	25	28	31.5	35.5
315	40	40	40	40	40	40	40
355	68	68	68	68	64	64	64
390	91	90	90	90	85	85	84
420	120	126	120	120	119	117	116

Nominal input power, P_{1N} [kW] ($n_1=1500$ 1/min)

Size/ratio	18	20	22.5	25	28	31.5	35.5
315	365	323	294	266	240	208	181
355	625	551	505	437	367	325	292
390	830	737	657	596	504	446	390
420	1 087	999	876	757	707	614	532

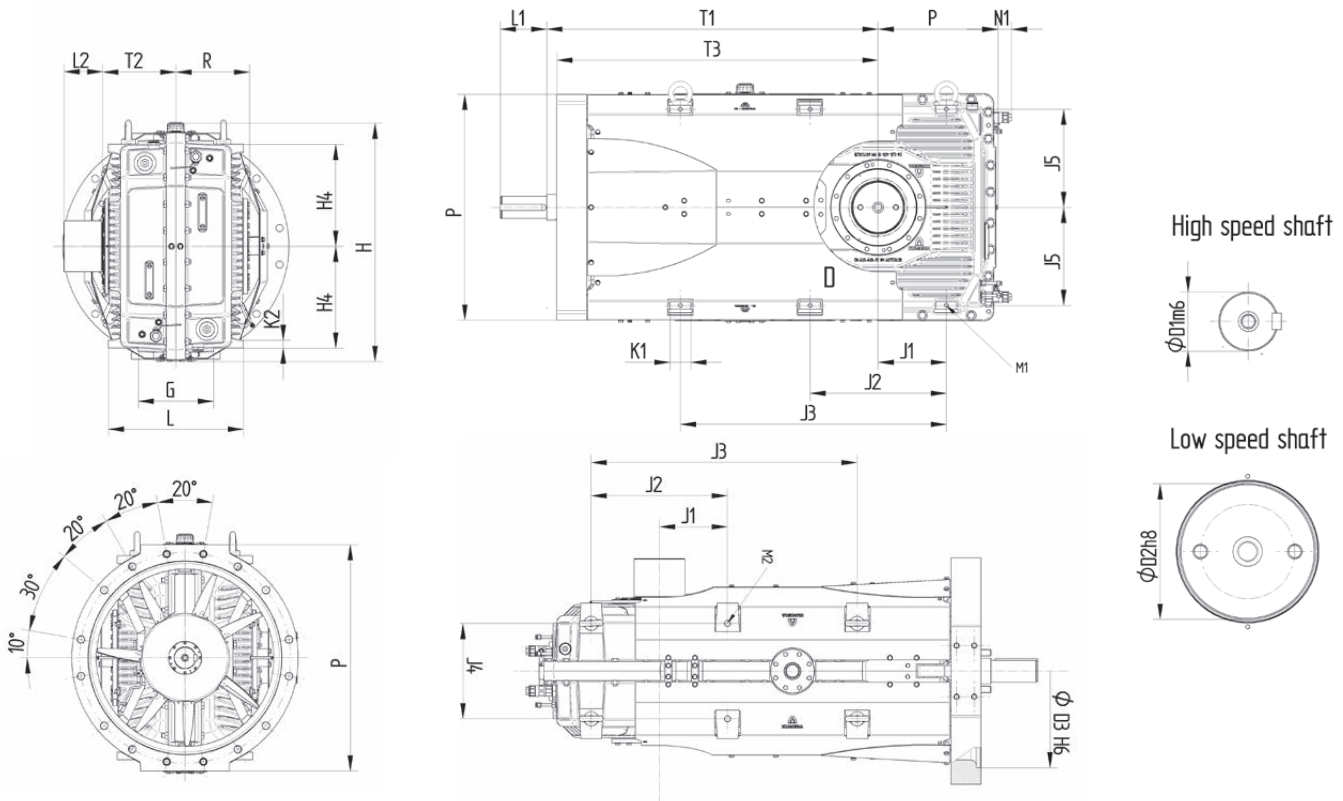
Exact ratio

Size/ratio	18	20	22.5	25	28	31.5	35.5
315	17.920	20.215	22.236	24.578	27.252	31.353	36.176
355	17.764	20.149	22.017	25.428	28.484	32.217	35.846
390	17.905	19.937	22.368	24.659	27.533	31.142	35.220
420	18.026	20.594	22.383	25.896	27.502	31.115	35.632

Thermal power rating, P_T [kW] / +20 °C

Size/ratio	18	20	22.5	25	28	31.5	35.5
315	422	426	430	435	442	446	450
355	552	557	562	569	579	584	589
390	710	716	723	732	744	751	757
420	830	837	845	856	870	878	885

Dimensions



NG-size	G	H	H4	H5	J1	J2	J3	J4	J5	K1	K2	ø D3 H6
315	300	765	345	19	231	461	900	323	335	70	30	650
355	338	862	389	21	260	520	1014	363	375	80	30	700
390	371	947	427	23	286	571	1114	399	410	90	35	740
420	400	1020	460	25	308	615	1200	430	442,5	95	35	870

NG-size	L	M1	M2	N1	P	R	T1	T2	T3	ø D1 m6	ø D2 h8	L1
315	458	M16x35	M24x35	62	800	250	1121	248	1135	70	160	205
355	516	M16x35	M30x45	62	900	280	1264	279	1280	80	180	205
390	566	M20x42	M30x45	62	1020	305	1388	306	1405	100	200	210
420	610	M20x42	M30x45	62	1020	330	1495	330	1450	110	230	210



Kumera reserves the right to make changes in the interest of technical progress.



Kumera Power Transmission Group and Marine Division



KUMERA DRIVES OY
Kumerankatu 2
FI-11100 Riihimäki
FINLAND
Tel: +358 20 755 4200
E-mail: drives@kumera.com



KUMERA (CHINA) CO, LTD.
168 Meifeng Road
Kunshan 215300, Jiangsu
CHINA
Tel: +86 512 503 61701
E-mail: kumerachina@kumera.com



KUMERA GETRIEBE GMBH
Bonner Straße 38
D-53842 Troisdorf
GERMANY
Tel: +49 2241 988-0
Email: kumera.getriebe@kumera.com



KUMERA AS
P.O. Box 2043
N-3202 Sandefjord
NORWAY
Tel: +47 33 48 54 54
E-mail: sales@kumera.no



KUMERA ANTRIEBSTECHNIK GMBH
Raiffeisenstrasse 38-40
A-8010 Graz
AUSTRIA
Tel: +43 316 471 524-0
E-mail: kumera.graz@kumera.com



HELSETH AS
Baklivegen 11-13
N-6450 Hjelset
NORWAY
Tel: +47 71 202 900
Email: helseth@helseth.no

Kumera Technology Division & Foundry



KUMERA TECHNOLOGY CENTER
RIIHIMÄKI, FINLAND



KUMERA MACHINERY OY
AKAA, FINLAND



PEIRON OY STEEL FOUNDRY
KOKEMÄKI, FINLAND



KUMERA
CORPORATION

KUMERA CORPORATION

HEADQUARTERS

FI-11100 Riihimäki

Finland

Tel.: +358 20 755 4200

Email: kumera@kumera.com